

Surfix® Pro S

**Multifunctional Coating Thickness Gauge:
With separate exchangeable probes.**

The Surfix® Pro S is a compact, lightweight, multifunctional fully menu driven coating thickness gauge for fast, precise, non-destructive coating thickness measurement for varnish, paint and electroplated coatings on iron/steel and varnish, paint and anodizing coatings on non-ferrous metals and on austenitic stainless steels.

1 Model:	Surfix® Pro S
8 Probes:	Wide range of probes for universal and special measurement tasks
Measuring Range:	0 – 10 mm (0 – 400 mils)

Probe

All separate exchangeable probes are machined to ultra-high standards and utilize a unique, hard-metal probe tip which prevents probe wear. The V-notched foot of the standard probes provides a stable footing even on small cylindrical parts. It can be removed to expose a “micro-probe” sensor perfect to measure on small measuring areas and in cavities.



Features

- Innovative and user-friendly measuring techniques
- Large data memory for 10000 readings
- Input and managing of alphanumeric file names
- Online statistics with all common parameters
- Data transfer to printer/PC via infrared or serial interface
- The Surfix® Pro S automatically identifies the substrate and activates the appropriate measuring procedure
- The scan mode enables a continuous measurement
- Free choice of different languages ensures easy operation
- The uniform contact pressure of the sensor is minimized, preventing scratches & indentations to sensitive surfaces
- Optional high temperature foot for measuring on surfaces up to 150 °C (302 °F)
- Manufacturer's Certificate and one year warranty included



Test-Stand (optional)

- Designed for smooth, repeatable measurements for coating thickness applications
- Spring-loaded lever for fast, precise travel
- Compact size and light weight makes it the ideal test stand for all workplaces



PHYNIX 

Physikalische Oberflächen-Messtechnik
Physical Surface Testing Technology

Specifications

for Surfifix® Pro S with FN 1.5 probe

Measuring principle:

Magnetic induction principle (F-Mode) for ferrous metals
Eddy-current principle (N-Mode) for non-ferrous metals
FN-Mode for all metals

Range:

0 – 1500 µm (0 – 60 mils)

Accuracy:

± (1 µm / 0.04 mils + 1 % of reading)

Resolution:

0.1 µm / 0.004 mils or < 0.2 % of reading

Display:

Backlight, 4-digit alphanumeric, height 10 mm (0.4")

Min. Measuring Area:

5 mm x 5 mm (0.2" x 0.2")

Min. Curvature Radius:

Convex: 1.5 mm (0.06")
Concave: 5.0 mm (0.20")

Min. Substrate Thickness:

Ferrous: 0.2 mm / 8 mils
Non-Ferrous: 50.0 µm / 2 mils

Calibration:

Factory-, zero-, foil-, two-foil-, CTC-calibration
Offset-function: add. or subtract. of a constant value

Memory:

10000 readings in max. 250 selectable files,
alphanumeric file names, stored readings and
statistical values individually recallable

Statistics Program:

Single-/block-value: n, \bar{x} , s, kvar, min, max, cp, cpk

Data Output:

Infrared and serial RS232 interface

Operating Temperature:

0°C to +50°C / 32°F to 122°F

Surface Temperature:

-15°C to +60°C / 5°F to 140°F (standard)
-15°C to +150°C / 5°F to 302°F (with optional foot)

Power:

2 AA, 1.5 V

Dimensions:

137 mm x 66 mm x 23 mm (5.4" x 2.6" x 0.9")

Weight:

225 g (8 oz) incl. FN 1.5 probe and batteries




Protection Class:

IP 52 (proof against dust and dripping water)

Standards:

DIN, ISO, ASTM, BS

Coating Thickness Probes

Type	Measuring Range	Style
FN 1.5	0 – 1500 µm (0 – 60 mils)	
F 1.5	0 – 1500 µm (0 – 60 mils)	
N 1.5	0 – 1500 µm (0 – 60 mils)	
FN 0.2	0 – 200 µm (0 – 8 mils)	
FN 3.5	0 – 3500/3000 µm (0 – 140/120 mils)	
F 3.5	0 – 3500 µm (0 – 140 mils)	
F 10	0 – 10 mm (0 – 400 mils)	
FN 1.5/90°	0 – 1500 µm (0 – 60 mils)	

Printer PrintFix (optional)

Portable thermal-printer with an integrated infrared interface for wireless data transfer. It can print values stored in the Surfifix® Pro S gauge quickly and reliably locally or later in the office.



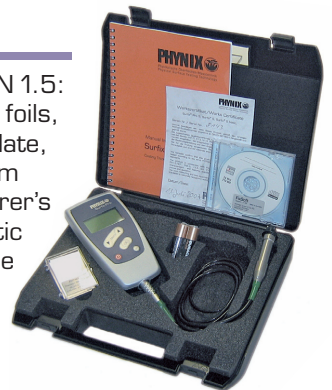
Software ProSoft (optional)



Database program for data transfer, data administration and management. It is able to manage all measurement sets, or individual sets, stored in Surfifix® Pro S.

Delivery Schedule

Surfix® Pro S with e. g. probe FN 1.5:
Gauge incl. probe, 2 calibration foils,
ferrous and non-ferrous zero plate,
2 AA batteries, transfer program
FixSoft, manual and manufacturer's
certificate; all in a rugged plastic
carrying case. Delivery schedule
varies depending on the probe.
Carrying pouch optional.



PHYNIX



Physikalische Oberflächen-Messtechnik
Physical Surface Testing Technology

PHYNIX GmbH & Co. KG

Alexe-Altenkirch-Straße 3
50739 Köln, Germany

Phone +49(0)221/17964-30
Fax +49(0)221/17964-35

info@phynix.de
www.phynix.de